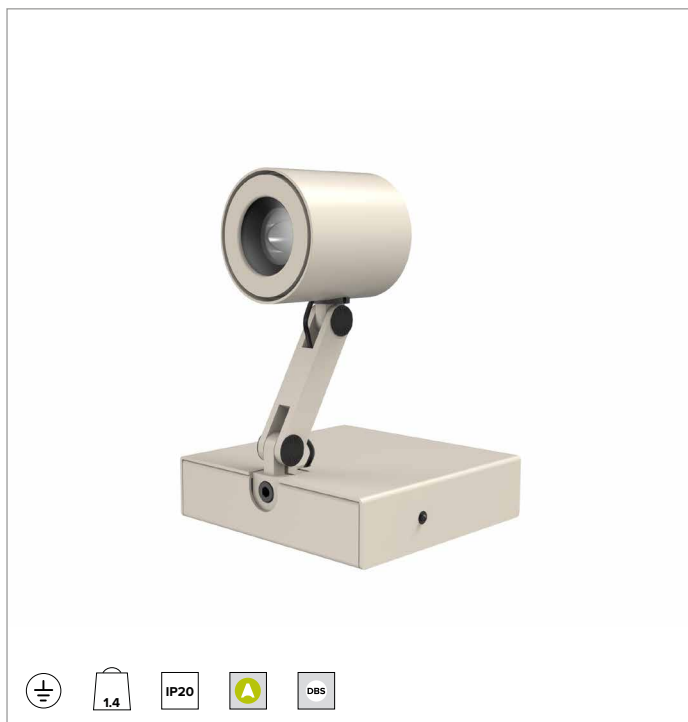
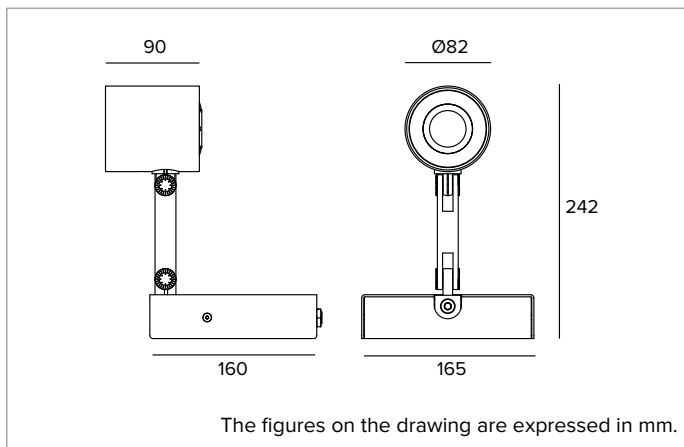


T044DBS927FW | CORO 80

Professional adjustable LED projector for wall or cornice installation with a variable light beam opening



The fixture's photometric values can be found on the following pages



SOURCE

High efficiency Chip on Board LED Ra90.

Energy efficiency class: F

Nominal power: 19W

Nominal flux: 1833lm

Colour rendering index: 90

Rf: 92

Rg: 99

CCT nominal: 2700K

Lifetime (L80/B10): >50000h tq +25°C

ILLUMINOTECHNICAL CHARACTERISTICS

DBS version: anodised reflective aluminium reflector optic, a liquid crystal lens, holographic diffusing filter (beam opening from SP to MWFL).

Optic: DBS

Beam angles: SP-MWFL

Optical efficiency: See photometries

Fixture flux: See photometries

Luminous efficacy: See photometries

Photobiological safety: Compliant with RG1 low risk group

MECHANICAL CHARACTERISTICS

Painted aluminium body, front ring and joints. Passive heat sink cooling system. Optical unit adjustability: +/-165° on the horizontal plane and 180° on the vertical plane with the possibility of mechanical aiming locking through single knob for both aiming locks. Articulated arm adjustable of 180° on the vertical plane. Graduated references at the articulated joints.

Colour and finish: Florentine white

Weight: 1.4Kg

Version: LONG ARM

Degree of protection: IP20

ELECTRICAL CHARACTERISTICS

DBS version: complete with driver and Casambi control system (Casambi Ready).

Fixture Power: 22W

Power supply: 110-240Vac 50/60Hz

Insulation Class: CLASS 1

Type of driver / Control: CASAMBI

Driver included: YES

Class F: YES

Ambient temperature: 0°C / +25°C

INSTALLATION

DBS version: complete with base for surface mounting.

NOTES

Commissioning of the control system via free APP; the intervention of a specialist technician can be quoted on request.

WARRANTY

5 years.

Due to the technological evolution of the electronic components, the data provided may be updated, and as such, confirmation must be requested during the order process.

Luminous flux and power supply have +/-10% tolerances with respect to the indicated value. tq +25°C (CIE 121).

We reserve the right to make technical changes.

Targetti Sankey S.r.l.
Via Pratese, 164
50145 Firenze - Italy
Tel: +39 055 37911
targetti.com
targetti@targetti.com

CCIAA Firenze
Share Capital:
€ 500.000,00
VAT N. (IT):
01537660480
R.E.A: FI-275656

TARGETTI

T044DBS927FW | CORO 80
Professional adjustable LED projector for wall or cornice installation with a variable light beam opening

	2700K	H(m)	D(m)	Emax(lx)		
	Ra90		17°			
Fixture Power	22W	1	0.30	8640		
Source Flux	1833lm	2	0.59	2160		
Fixture Flux	1331lm	3	0.89	960		
Efficacy	60lm/W	4	1.19	540		
TS2024	Imax=4714cd/klm	Imax	8640cd	5	1.49	346

	2700K	H(m)	D(m)	Emax(lx)		
	Ra90		40°			
Fixture Power	22W	1	0.72	1958		
Source Flux	1833lm	2	1.45	490		
Fixture Flux	1232lm	3	2.17	218		
Efficacy	55lm/W	4	2.89	122		
TS2025	Imax=1068cd/klm	Imax	1958cd	5	3.61	78

SP

Fixture flux 1331lm
 Luminous efficacy 60lm/W
 Optical efficiency 73%

FL

Fixture flux 1232lm
 Luminous efficacy 55lm/W
 Optical efficiency 67%

Due to the technological evolution of the electronic components, the data provided may be updated, and as such, confirmation must be requested during the order process. Luminous flux and power supply have +/-10% tolerances with respect to the indicated value. tq +25°C (CIE 121).

Targetti Sankey S.r.l.
 Via Pratese, 164
 50145 Firenze - Italy
 Tel: +39 055 37911
 targetti.com
 targetti@targetti.com

CCIAA Firenze
 Share Capital:
 € 500.000,00
 VAT N. (IT):
 01537660480
 R.E.A: FI-275656



We reserve the right to make technical changes.

T044DBS927FW | CORO 80**Professional adjustable LED projector for wall or cornice installation with a variable light beam opening****Accessories****Emergency Kit**

Code

A059

Emergency kit composed of an inverter a LiFePO4 battery and a LED Green indicator.
Allows permanent EP emergency use of the fixture it is connected to.

The 1h or 3h autonomy can be selected by configuring the fixture.

The batteries take 12h to completely recharge.

LED Green indicator wired to the inverter through single-core cables L= 800mm.

Emergency kit for fixtures that comply with EN 60598-2-22 standard, high risk areas excluded.

Battery size 160x54x30 mm.

Inverter size 165x40x25 mm.

Due to the technological evolution of the electronic components, the data provided may be updated, and as such, confirmation must be requested during the order process.

Luminous flux and power supply have +/-10% tolerances with respect to the indicated value. tq +25°C (CIE 121).

We reserve the right to make technical changes.

Targetti Sankey S.r.l.
Via Pratese, 164
50145 Firenze - Italy
Tel: +39 055 37911
targetti.com
targetti@targetti.com

CCIAA Firenze
Share Capital:
€ 500.000,00
VAT N. (IT):
01537660480
R.E.A: FI-275656

TARGETTI